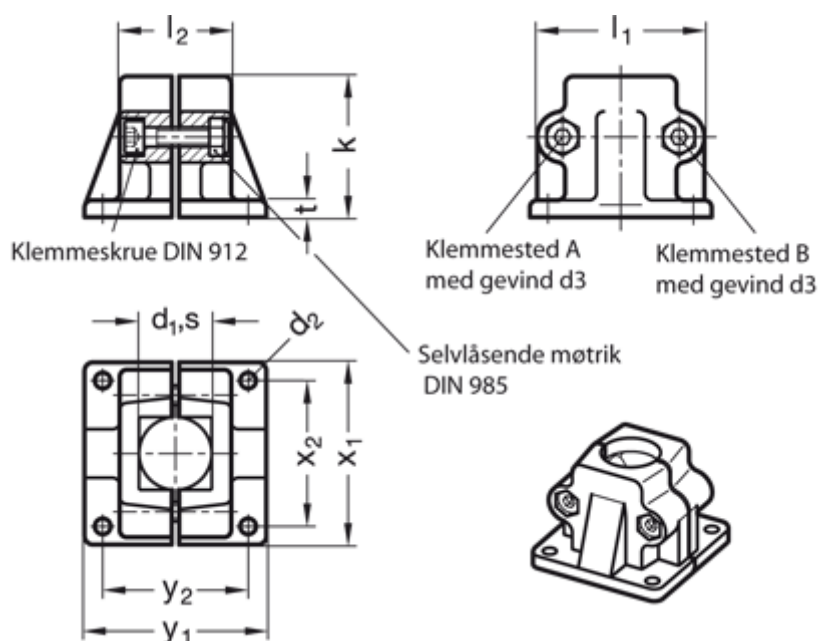


Article number: 20165V452BL

Description: E+G  
Base plate clamp GN165-V45-2-BL

## Measures



Adjustable clamp lever = GN 911-M8-40 have to be ordered separately

d1 = B20  
d2 = 7  
d3 = M 8  
k = 58  
l1 = 69  
l2 = 46  
t = 7

x1 = 75  
x2 = 60  
y1 = 75  
y2 = 60